



## **FOUNTAIN PUMPS**







# INDEX

HB Fountain Pumps.....	4
JHQ Fountain Pumps.....	6

*This document contains hyperlinks. If you are using the electronic PDF copy you do not need to go through the entire document to get to the required page, you can simply click on the required page on your index page. Click on the logo on top to return to the Index page.*

# FOUNTAIN PUMP

## HB



### Application

These pumps can be used in water features, fountains, aquariums and ponds for circulation.

They are highly energy efficient and have a long service life.

### Performance range

Maximum head: 2m  
Maximum flow: 1500L/h  
Power: 16W & 28W

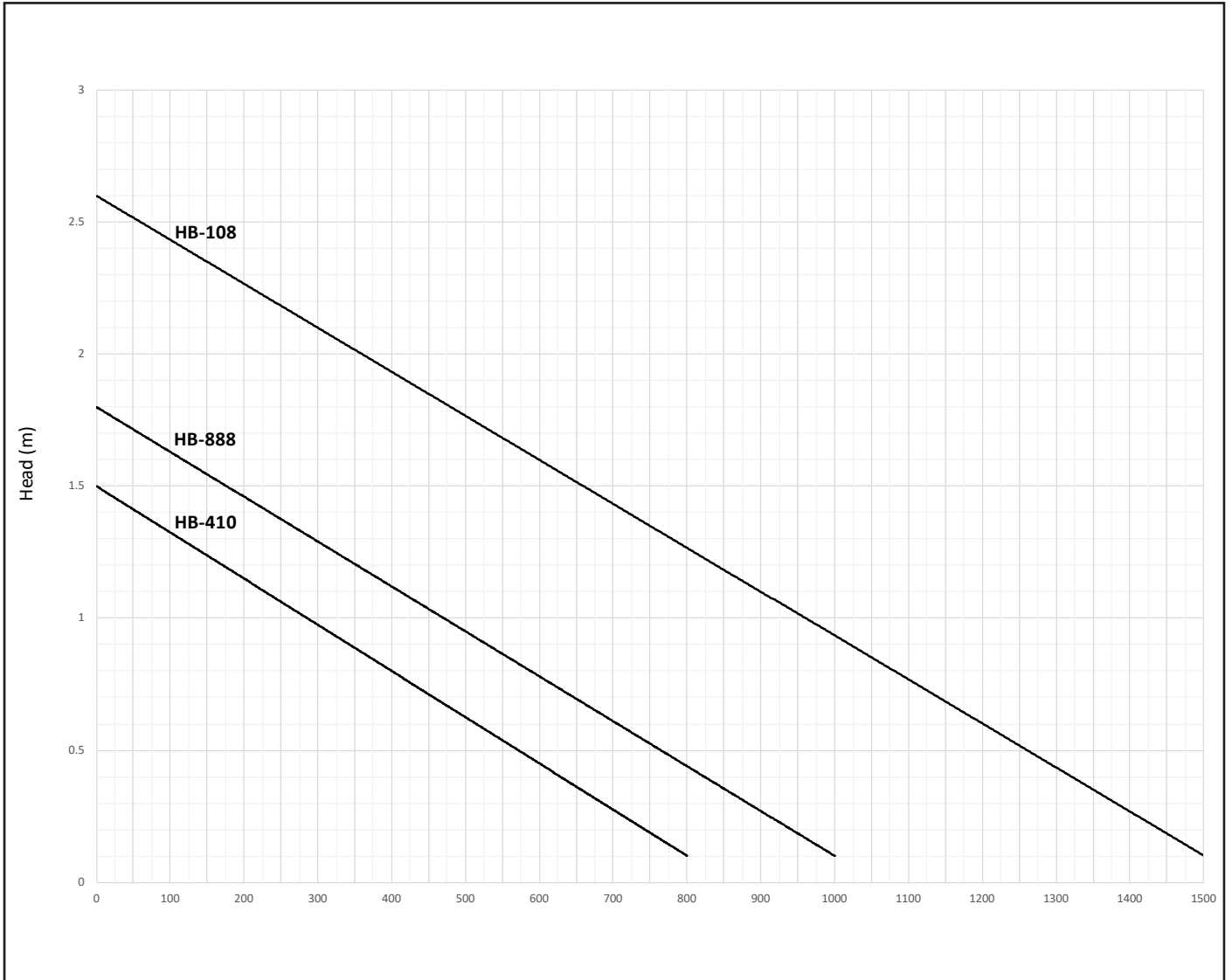
### Operating limits

Maximum liquid temperature: 40°C  
Length of operating time: Continuous duty



### Performance chart

MODEL	OUTPUT POWER (W)	MAX HEAD (m)	MAX FLOW (l/h)	CABLE LENGTH (m)	PLUG
HB-410	13.5	1.5	800	1.5	2 point
HB-888	16.5	1.8	1000	1.5	2 point
HB-108	27	2.6	1500	1.5	2 point



# FOUNTAIN PUMP

## JHQ



### Application

These pumps can be used in water features, fountains, aquariums and ponds for circulation.

They are highly energy efficient and have a long service life.

### Performance range

Maximum head: 2.5m  
Maximum flow: 2000L/h  
Power: 55W



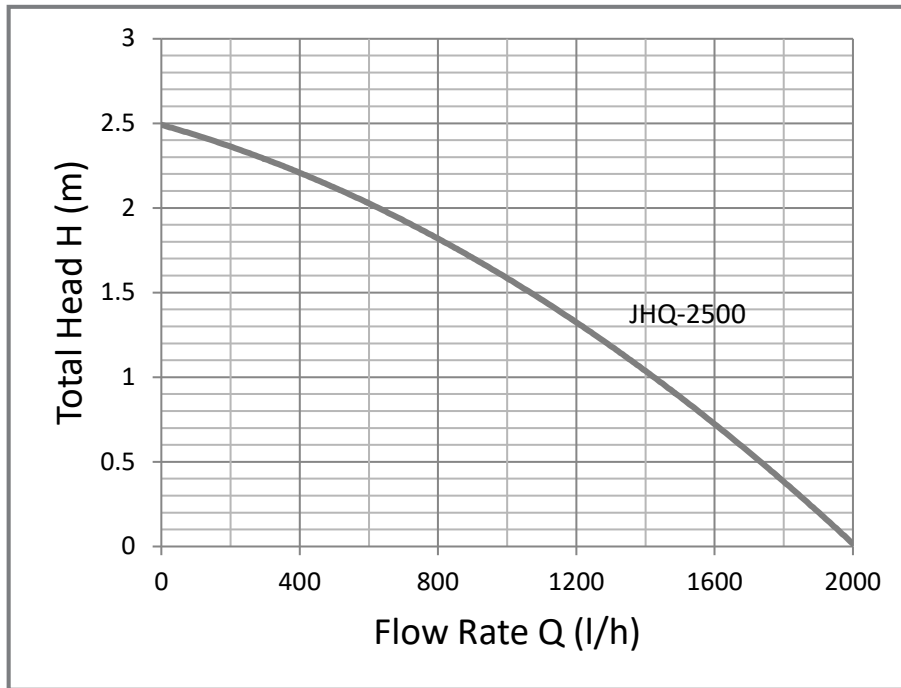
### Operating limits

Maximum liquid temperature: 40°C  
Length of operating time: Continuous duty

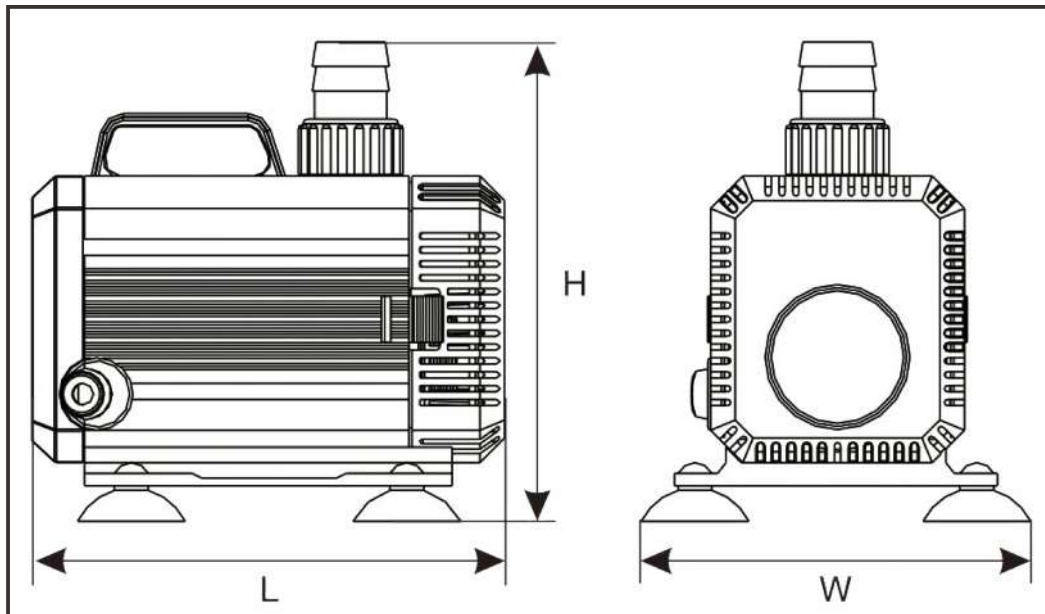
### Performance chart

MODEL	OUTPUT POWER (W)	MAX HEAD (m)	MAX FLOW (l/h)	CABLE LENGTH (m)	PLUG	WEIGHT (kg)	DIMENSIONS L x W x H (mm)
JHQ-2500	55	2.5	2000	3	3 point	1.2	153x105x135

### Performance curves



### Diagram



### Dimensions

MODEL	WEIGHT	L	W	H
JHQ-2500	1.2kg	153mm	105mm	135mm



[www.gatorpumps.co.za](http://www.gatorpumps.co.za)